

Sealed Rechargeable Ni-MH Cell

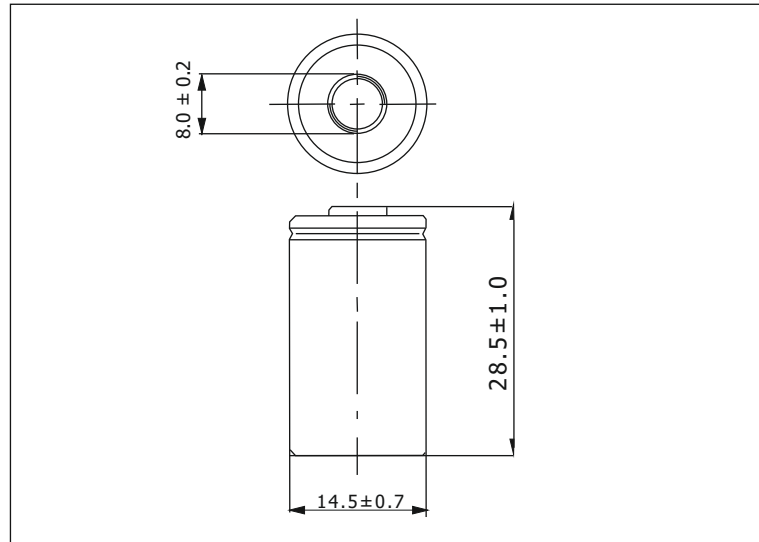
2/3 AA - 500 MAH

TYPE: 2/3AA 500 MAH (Flat Top)

Specifications of single cell (For Reference)

Nominal voltage		1.2V	
Nominal Capacity (C/5 Rate)		500mAH	
Capacity (Time)	At 0.2C Discharge		
	Minimum	275min	
	Typical	300min	
Charging Voltage		1.5V	
Discharge Cut off Voltage		1.0V	
Dimensions	Diameter	14.5 ± 0.7 mm	
	Height	28.5 ± 1.0 mm	
Weight (Approximately)		grams 14.5	
Internal Impedance At 1000 Hz		40m (Max) (After Charge)	
Charge	Standard	50mA (0.1C) × 15hrs	
	Rapid	500mA (1.0C) × 1.1hrs	
Ambient Temperature	Charge	Standard	0°C to 45°C
		Rapid	0°C to 40°C
	Discharge		-20°C to 50°C
	Storage		-20°C to 40°C

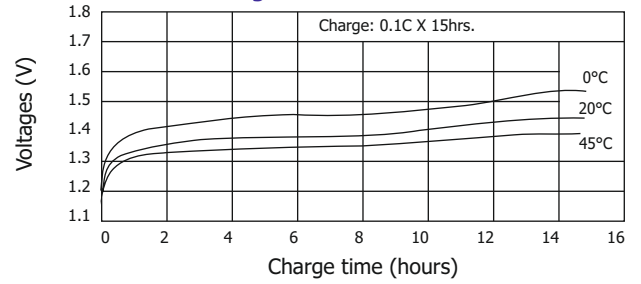
Dimensions (with tube): in (mm)



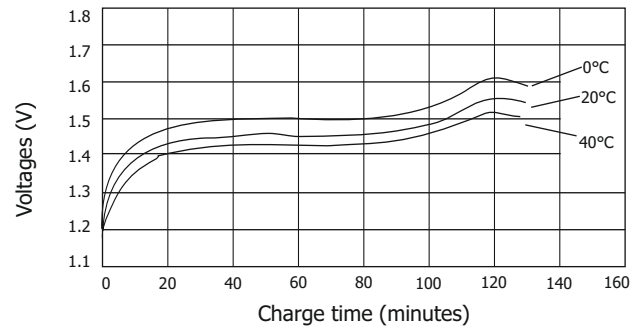
Note :

1. Recharge battery at least once in 1month.
2. When connecting a battery pack to a charger, ensure correct polarity.
3. Store batteries in a cool dry place.
4. Do not dispose battery in trash, recycle them.

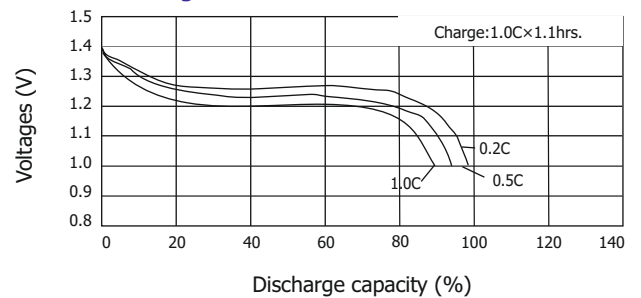
Standard charge characteristics



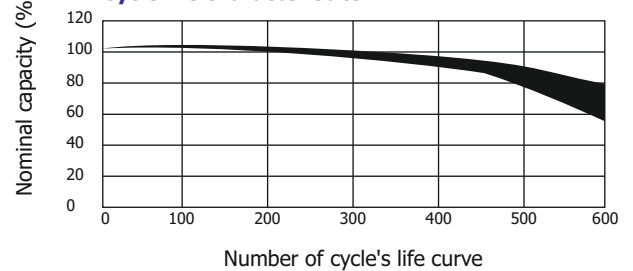
Rapid charge characteristics



Discharge characteristics



Cycle life characteristics



Self Discharge Characteristics

